

Turbine Series - 731000MA-MAM

FUEL

Specifications:

Height: MA - 22.0" (55.9 cm)
 MAM - 20.8" (52.8 cm)
Width: 16.5" (41.91 cm) with Bracket
Depth: 9.5" (24.13 cm) with Bracket
Weight: MA - 26.0 lbs (11.8 kg)
 MAM - 28.0 lbs (12.7 kg)
Ports: 3/4"-14 NPT
Service Clearance (Top): 10.0" (25.4 cm)
Vacuum Installation Recommended
Maximum Pressure: 15 psi (1.03 bar)
Max Flow Rate: 360 gph (1362 lph)

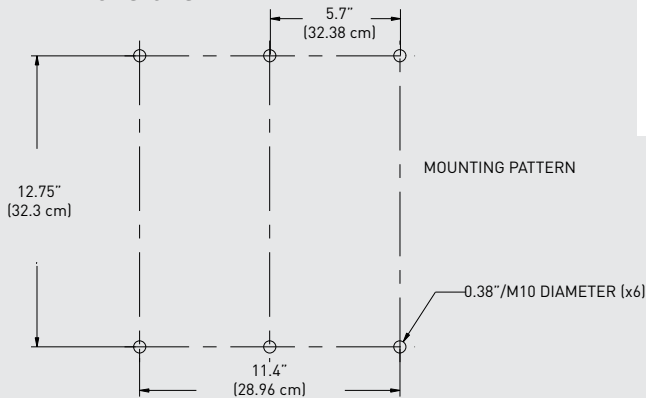
Create a Part Number

Housing Type	Dual Assembly 360 GPH Flow Rate
73	
Filter Model	Turbine Model Marine 180 GPH Flow Rate (X2)
1000MA	
Assembly Options	Metal Bowl Option *
M	
Filteration Rating	2 micron 10 micron 30 micron *
2 10 30	

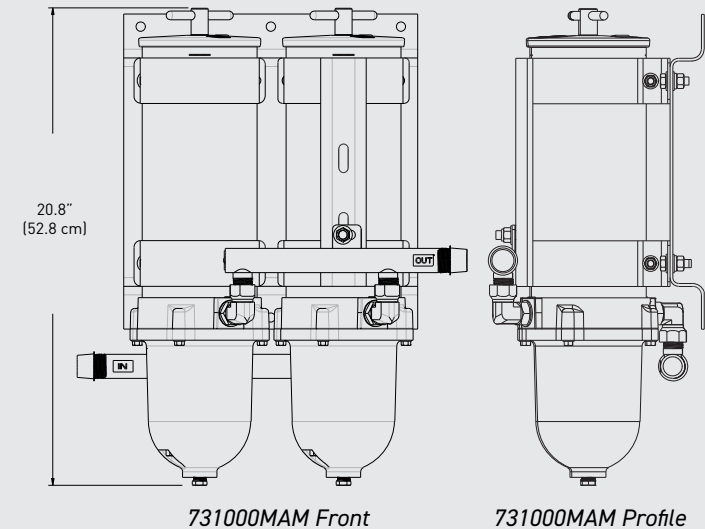
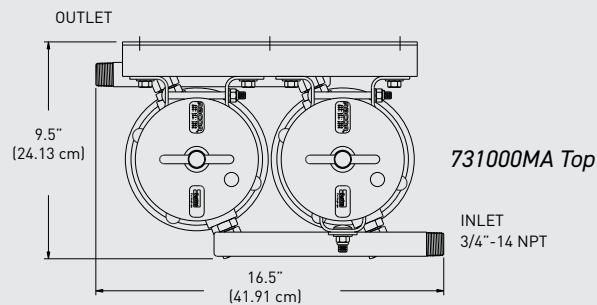
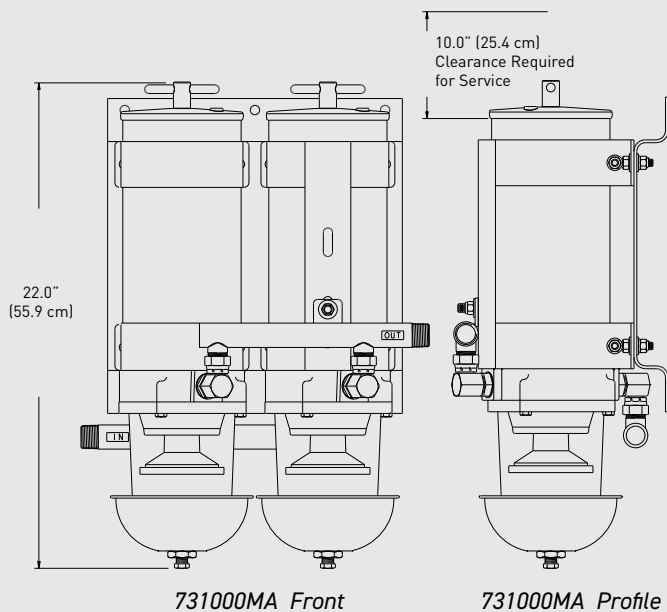
* Metal Bowl option only available with 30 micron filter

RACOR®

Dimensions:



ASSEMBLY	DESCRIPTION
731000MA2	Marine - Dual 1000 Turbine Assy., 2 micron Filter
731000MA10	Marine - Dual 1000 Turbine Assy., 10 micron Filter
731000MA30	Marine - Dual 1000 Turbine Assy., 30 micron Filter
731000MAM30	Marine - Metal Bowl - Dual 1000 Turbine Assy., 30 micron Filter



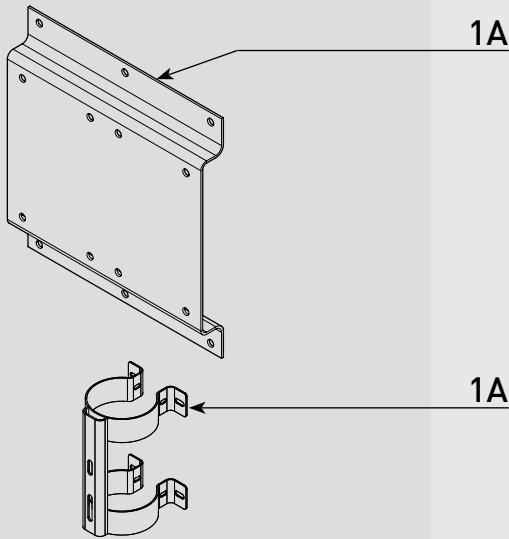
DUAL ASSEMBLIES



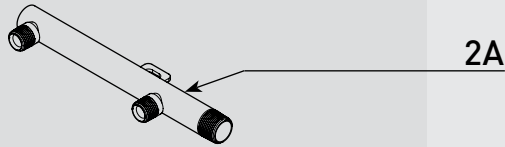
PARTS

Turbine Series - 731000MA-MAM

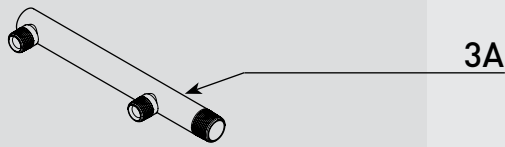
1



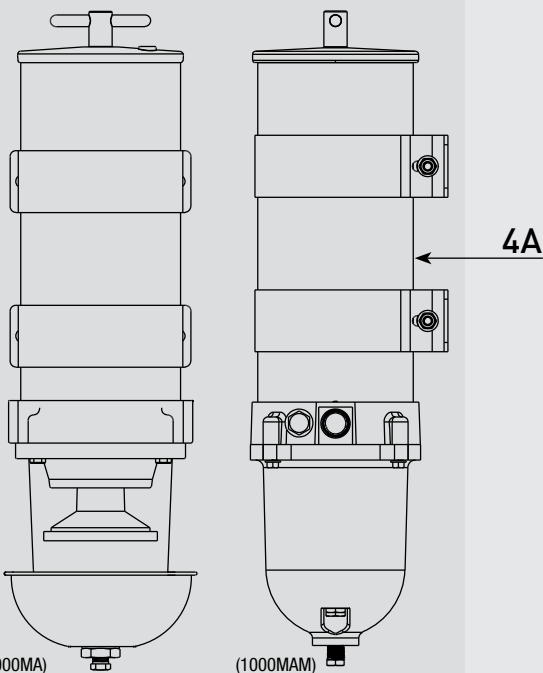
2



3



4









See **RSL0293**
For 1000MA Parts Breakdown

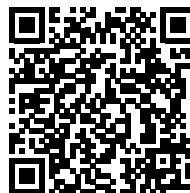
Part #	Description
1A	Mounting Bracket - <i>Contact Technical Support</i>
1B	Manifold Assembly Bracket - <i>Contact Technical Support</i>
2A	Outlet Manifold Tube - <i>Contact Technical Support</i> Outlet Manifold Tube - <i>Contact Technical Support</i>
3A	RK 11892 Inlet Manifold Tube (3/4"-14 NPT) (Beige Color)
4A	Turbine Fuel Filter - 1000MA Series See Cutsheet RSL0293 for available Parts and Accessories

Accessories and Parts Available (Not Shown)

5A	RK 11-1404	Complete Seal Service Kit - 1000MA Series Filters (Requires 2)
5B	RK 21069 RK23191	WIF Probe (pig tail) - 1/2"-20 UNF - Requires 5C WIF Probe (Steel/pig tail) - 1/2"-20 UNF - Requires 5C
5C	RK 14329 RK 14321	Water Detection Module - 12 vdc Water Detection Module - 24 vdc
6A		Bowl Gasket - Included in 5A
6B	RK 11-1606-1	MA Bowl Kit (Clear) - Includes 6A, 6C, Gasket & O-ring
6C	RK 20126	Plastic Bowl Plug Kit (MA) (O-ring Included in 5A)
6D	RK 11868	Heat Deflector Kit (MA) - Includes 6E
6E	RK 11-1910	Drain Plug Kit (MA) (Gasket & O-ring Included in 5A)
7A	2020N-02 2020N-10 2020N-30	1000MA Replacement Element 2 micron 1000MA Replacement Element 10 micron 1000MA Replacement Element 30 micron

Certifications

Model MA  	Model MAM    
---	---



Online Link
Turbine Series Selector



Online Link
Turbine Series
Replacement Parts Selector